

SUPER LED F4.7



DATASHEET

DeSisti

SUPER LED F4.7

LED Fresnel Spotlight 60W - CRI>96
White light, either Tungsten or Daylight balanced

OVERVIEW

The Super LED F4.7 is a high efficiency Fresnel lens spotlight using the innovative High Power 60W COB (Chip on Board) LED ARRAY, in combination with the DE SISTI Internationally Patented optical system for LED FRESNEL and with an enhanced CRI (Color Rendering Index) higher than 96 for appropriate chromacity performances.

The Lighting Fixture is DMX Controlled from 0 to 100% with a super smooth Dimming and a negligible variation of Colour Temperature while controlling the Light intensity.

The F4.7 is available with either Tungsten (3.200°K) or Daylight (5.600°K) Balanced CCT (Correlated Color Temperature), in both cases with a CRI higher than 96 and both in Manual or Pole operated versions.

The lighting Performances of the Tungsten Balanced CCT from medium to full flood are similar to those of a 750W tungsten Fresnels, while the Daylight Balanced CCT is similar to a 250W HMI. The fixture combines the classical SPOT/FLOOD beam control on an equivalent FOCUS RANGE to a conventional lamp fresnel, with an excellent barn door cutting.

It utilizes Standard accessories from the DE SISTI range of equivalent Fresnel Lens size, such as Barndoor, Color Frame, Cones, Scrim.

MODEL	DESCRIPTION
F4.7T.MO	Super LED F4.7 T - Tungsten CCT, Manual Operated
F4.7T.PO	Super LED F4.7 T - Tungsten CCT, Pole Operated
F4.7D.MO	Super LED F4.7 D - Daylight CCT, Manual Operated
F4.7D.PO	Super LED F4.7 D - Daylight CCT, Pole Operated



WHAT'S INSIDE

FIXTURE HEAD

120 mm. (4.75") diameter Fresnel lens
POWERCON IN & OUT PANEL CONNECTORS.
XLR 5 Pin DMX IN & OUT PANEL CONNECTORS.
60W high power CRI>96
Built In Universal Power Supply 90-250V
50/60Hz DMX controlled.

YOKES

Manual Operated Versions

Mod. LT300.100.40 M.O. stirrup with 16mm (5/8") socket

Pole Operated Versions

Mod. 301.110.40 P.O. yoke with 28,57 mm. spigot (B.S. 1-1/8"), with top end for "C" clamp

ACCESSORIES

Mod. 306.100 four leaf rotating barndoor
Mod. 307.100 color frame

CABLES

Mod. 5403.135 3 mt. (9.8 ft) detachable Blue POWERCON power cable with bare ends.

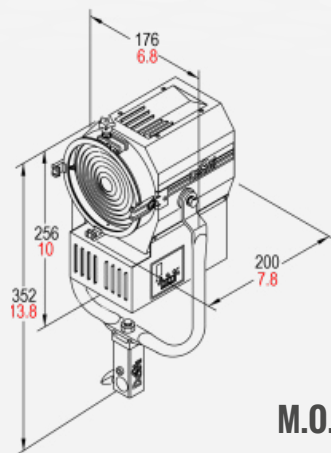
DMX cable is not included, to be ordered separately

SUPER LED F4.7

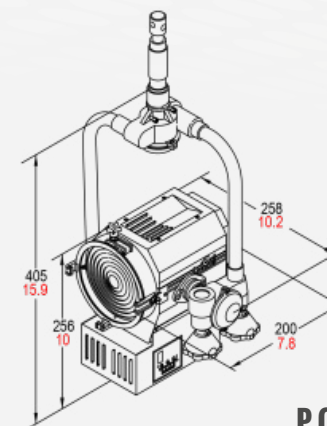
FEATURES

Power to LED	60W - DC current to the LED - flicker free
Rated Voltage & PFC	90-250V 50-60Hz PFC 0,96
Power consumption	71W @ 230V 75W @120V
Power Connection	powerCON IN & OUT
DMX Data link USITT DMX512-A	5-pin XLR for DMX in & out. Use shielded data cables. Do not overload the daisy chain. Up to a maximum of 32 devices can be used on a single DMX chain.
DMX Channels	1 @ 8bit 2 @ 16bit
LED ARRAY Lifetime	50.000 hours with 70% Lumen Maintenance. The LED ARRAYS are tested and certified up to LM80
CCT	T: 3.200°K D: 5.600°K
CRI / TLCI	T: 97 / 96 D: 96 / 97
Protection Type	IP22
Max. Housing Surface Temperature	70° C
Weight of Fixture	M.O. 3,5 Kg (7.7 lb) P.O. 5,4 Kg (11.9 lb)
Weight of Barndoor	4 leaf 0,3 Kg (0.66 lb) 8 leaf 0,4 Kg (0.88 lb)
Weight of color frame	0,13 Kg (0.29 lb)
Barndoor ring diameter	133mm / 5.24"
Scrim & color frame diameter	129mm / 5.08"
Lens diameter	120mm / 4.75"

DIMENSION



M.O.



P.O.

FEATURES

120 mm. (4.75") diameter high quality, shock resistant Borosilicate glass Fresnel lens on spring supports.

Rugged and lightweight Carbon Steel Housing with low glare black epoxy powder coating and reinforces internal double walls.

High efficiency Self Stabilizing Active Cooling: automatic, thermal stabilization of the LED operating temperature is managed by an internal thermal sensor and CPU, variable speed fan and heat sink to maintain the LED Array's constant temperature at a maximum of 65°C. The hydro dynamic bearing fan operates silently with a very low RPM.

Special Patented Optics for LED Technology.

Helix Screw driven focus mechanism which guides Teflon bushings supported LED ENGINE along 2 rods. This ensures smooth operation during focusing in any tilting position of the fixture. The Teflon bushings also provide a wiping action, which cleans the steel guide rails during focus.

The unit is equipped with a hinged lens door and wire guard. One of the 4 accessory brackets has a spring loaded locking knob to safely secure external accessories.

Accessories have been designed for one hand installation.

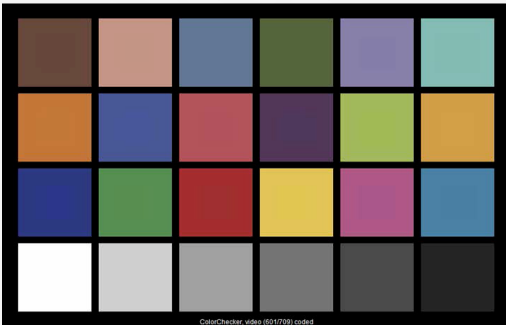
Available with either positive lock manual yokes for comfort and ease of handling, or pole operated yokes which can be used via the lighting pole for Panning and Tilting the lights as well as manually, since the mechanical activators are equipped with clutches.

SUPER LED F4.7

TLCI

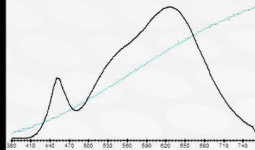
TUNGSTEN CCT

De Sisti SUPER LED F4.7 - 60W - Tungsten : CCT = P3005 (+0.3)
TLCI-2012: 96 (P3005)



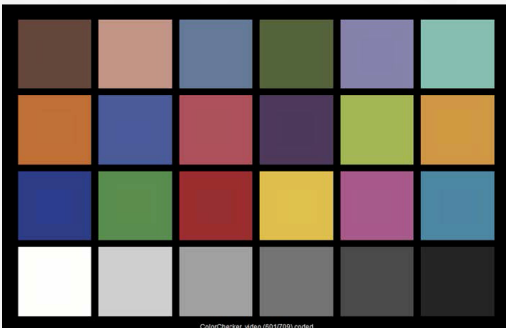
Television Lighting Consistency Index-2012

Sector	Lightness	Chroma	Hue
R	0	0	0
RY	0	0	--
Y	0	-	-
YIG	0	-	0
G	0	0	+
GIC	0	0	+
C	0	0	++
CIB	+	0	-
B	0	-	-
BIM	+	+	+
M	0	0	+++
MIR	+	0	++



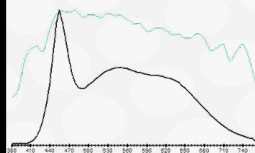
DAYLIGHT CCT

De Sisti SUPER LED F4.7 - 60W - Daylight : CCT = D5851 (+0.8)
TLCI-2012: 97 (D5851)



Television Lighting Consistency Index-2012

Sector	Lightness	Chroma	Hue
R	0	0	0
RY	--	0	--
Y	0	0	-
YIG	0	0	0
G	0	0	0
GIC	0	0	0
C	0	0	-
CIB	+	0	---
B	0	-	0
BIM	0	0	+
M	0	0	0
MIR	+	0	0



PHOTOMETRICS

// SUPER LED F4.7

Central Light intensity (Candle Power)

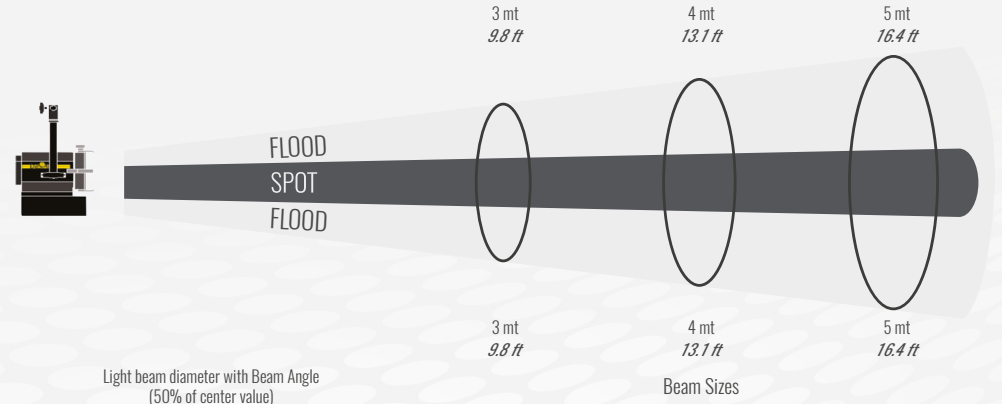
Illumination center values at Distances

3.200°K TUNGSTEN BALANCED C.C.T. (Correlated Color Temperature) - 60W (CRI 97) - TLCI: 96

	Central Light intensity (Candle Power)	3m	4m	5m
FLOOD	8.502 cd	945 lux <i>88 FC</i>	531 lux <i>49 FC</i>	340 lux <i>32 FC</i>
SPOT	33.953 cd	3.773 lux <i>350 FC</i>	2.122 lux <i>197 FC</i>	1.358 lux <i>126 FC</i>

5.600°K DAYLIGHT BALANCED C.C.T. (Correlated Color Temperature) - 60W (CRI 96) - TLCI: 97

	Central Light intensity (Candle Power)	3m	4m	5m
FLOOD	8.550 cd	950 lux <i>88 FC</i>	534 lux <i>50 FC</i>	342 lux <i>32 FC</i>
SPOT	35.091 cd	3.899 lux <i>362 FC</i>	2.193 lux <i>204 FC</i>	1.404 lux <i>130 FC</i>



	Beam Angle	3m	4m	5m
FLOOD	41°	2,24 mt <i>7.4 ft</i>	2,99 mt <i>9.8 ft</i>	3,74 mt <i>12.3 ft</i>
SPOT	12°	0,63 mt <i>2.1 ft</i>	0,84 mt <i>2.8 ft</i>	1,05 mt <i>3.4 ft</i>

	Field Angle	3m	4m	5m
FLOOD	64°	3,75 mt <i>12.3 ft</i>	5,00 mt <i>16.4 ft</i>	6,25 mt <i>20.5 ft</i>
SPOT	22°	1,17 mt <i>3.8 ft</i>	1,56 mt <i>5.1 ft</i>	1,94 mt <i>6.4 ft</i>

LUX AT ANY DISTANCE = Candle Power: [Distance(in m.)]²

FC. AT ANY DISTANCE = Candle Power: [Distance(in ft)]²

SUPER LED F4.7



OPTIONALS & ACCESSORIES

F4.7X.PO.DIN	<i>add code to order DIN Spigot</i>
305.310	<i>Stainless Steel wire guard</i>
306.100	<i>Four leaf rotating barndoor</i>
306.200	<i>Eight way rotating barndoor</i>
307.100	<i>Color Frame</i>
308.100	<i>Cone with two discs (with front aperture diameter: 70 mm. 50 mm. 30 mm.)</i>
309.100	<i>Set of scrims - Stainless steel</i>
309.101	<i>Full single scrim - Stainless steel</i>
309.102	<i>Full double scrim - Stainless steel</i>
309.103	<i>1/2 single scrim - Stainless steel</i>
309.104	<i>1/2 double scrim - Stainless steel</i>
91.210	<i>Aluminum black painted "C" clamp to hang fixtures overhead and for mounting on pipe with diameters up to 52 mm. (2"), with safety pin (no adapters)</i>
93.101	<i>Extruded black "C" clamp with 16mm. (5/8") stud</i>
93.104	<i>Extruded black "C" clamp with M 8 threaded stud</i>
20.100	<i>Safety cable 800 mm. long with 4 mm. diameter steel rope and safety catch.</i>
302.631	<i>KIT CASE in REINFORCED MOLDED POLYETILEN for 3 LIGHTS AND ACCESSORIES, including:</i> <ul style="list-style-type: none"> - Black Colour - 3 Sides Carrying Handles - Alluminium profiles, Heavy duty cam-lock, hinges and rolling wheels - for: Magis kit 300.600 - DLK 380 - DLK3100.